

0.55mm Height PLCC-2 Package Top View
LED grow lights components
Technical Data Sheet

Part No.: DL-TOP3030GL-R

Double Light

◆ Features:

1. PLCC-2 package.
2. High power LED type.
3. White package.
4. Optical indicator.
5. Colorless clear window.
6. Ideal for backlight and light pipe application.
7. Inter reflector.
8. Wide viewing angle.
9. Very long operating life.
10. Instant light (less than 100 ns).
11. Reading lights (car, bus, aircraft).
12. Mini_ accent/Up lighters/Down lighters/Orientation.
13. Bollards/Security/Garden.
14. Cove/Under shelf/Task.
15. Automotive rear combination lamps.
16. Indoor/Outdoor Commercial and Residential Architectural.
17. Edge_ lit signs (Exit, point of sale).
18. LCD Backlights/Light Guides.
19. Designed for high current operation.
20. Low thermal resistance.
21. Suitable for automatic placement equipment.
22. Suitable for vapor-phase reflow, Infrared reflow and wave solder processes.
23. The product itself will remain within RoHS compliant Version.

◆ Descriptions:

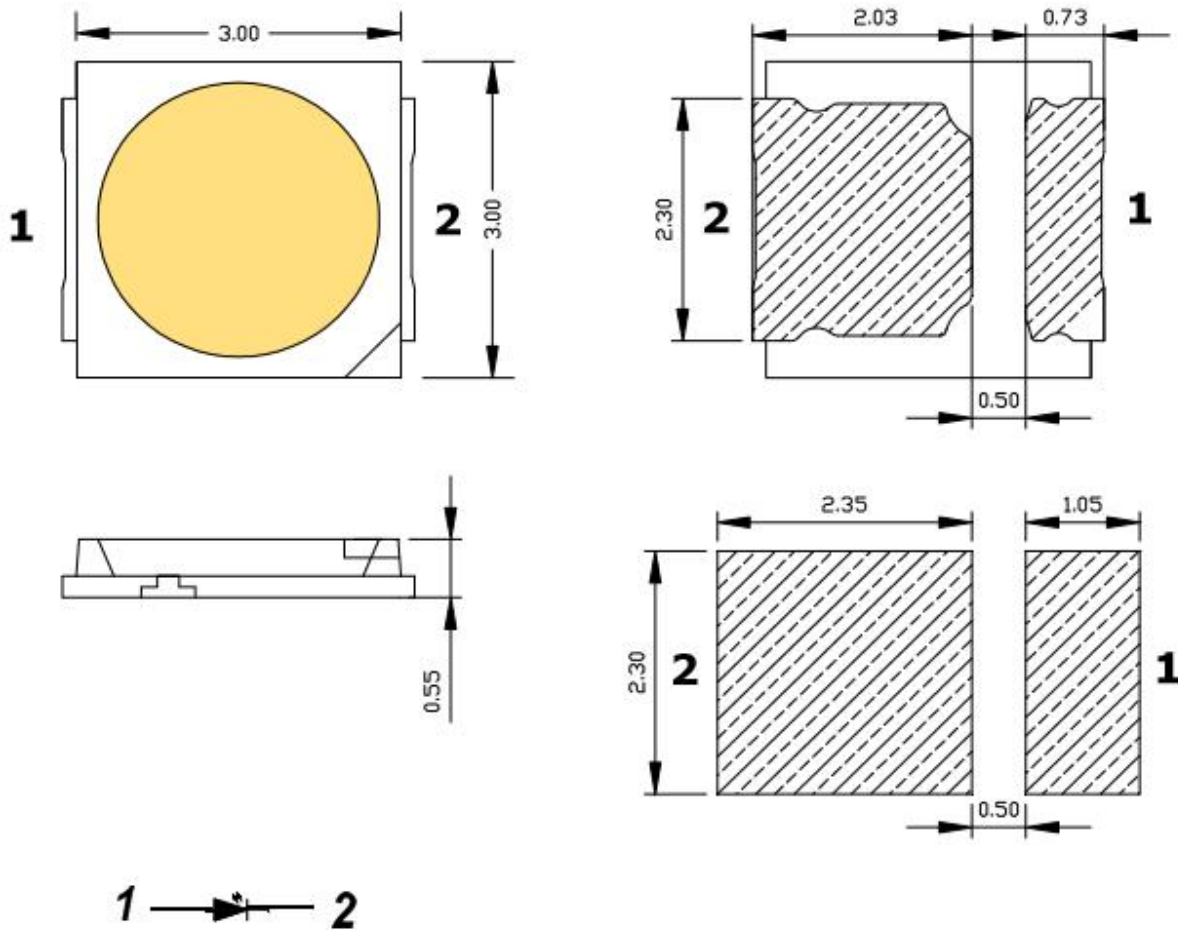
1. The TOP 3030 series is available in soft red, orange, yellow, green, blue and white. Due to the package design, the LED has wide viewing angle and optimized light coupling by inter reflector. This feature makes the SMT TOP LED ideal for light pipe application. The low current requirement makes this device ideal for portable equipment or any other application where power is at a premium.
2. Our led grow light mainly are red and blue spectrum, these two spectrums are the peak of plants absorption.

◆ Applications:

3. Horticultural operations
4. Commercial vegetable and flower production
5. Supplemental greenhouse lighting
6. Hydroponics
7. Research experiment

Double Light

◆ Package Dimension:



Part No.	Chip Material	Lens Color	Source Color
DL-TOP3030GL-R	AlGaInP	Pink Diffused	Hyper Red

Notes:

1. All dimensions are in millimeters.
2. Tolerance is $\pm 0.10\text{mm}$ (.004") unless otherwise noted.
3. Specifications are subject to change without notice.

Double Light

◆ Absolute Maximum Ratings at Ta=25°C

Parameters	Symbol	Max.	Unit
Power Dissipation	PD	1200	mW
Peak Forward Current (1/10 Duty Cycle, 0.1ms Pulse Width)	IFP	500	mA
Forward Current	IF	350	mA
Electrostatic Discharge (HBM)	ESD	2000	V
Operating Temperature Range	Topr	-40°C to +80°C	
Storage Temperature Range	Tstg	-40°C to +85°C	
Soldering Temperature	Tsld	260°C for 5 Seconds	

Electrical Optical Characteristics at Ta=25°C

Parameters	Symbol	Min.	Typ.	Max.	Unit	Test Condition
Luminous Flux	Φ_v	10.0	13.0	---	lm	IF=350mA (Note 1)
Viewing Angle	$2\theta_{1/2}$	---	120	---	Deg	IF=350mA (Note 2)
Peak Emission Wavelength	λ_p	-516	-506	-496	nm	IF=350mA
Centroid wavelength	λ_c	605	613	625	nm	IF=350mA
Forward Voltage	VF	3.00	3.30	---	V	IF=350mA
Chromaticity Coordinates	X	---	0.4556	---		IF=350mA
	Y	---	0.2050	---		
Reverse Current	IR	---	---	10	μ A	VR=5V

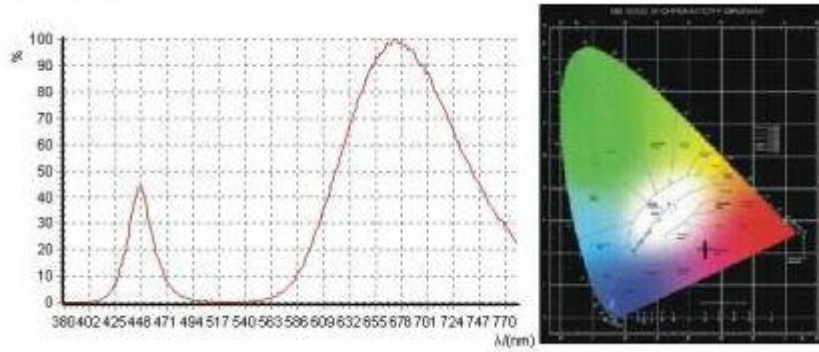
Notes:

1. Luminous Intensity (Flux) Measurement allowance is $\pm 10\%$.
2. $\theta_{1/2}$ is the off-axis angle at which the luminous intensity is half the axial luminous intensity.
3. It use many parameters that correspond to the CIE 1931 2°. X, Y, and Z are CIE 1931 2° values of Red, Green and Blue content of the measurement.

◆ Typical Electrical / Optical Characteristics Curves

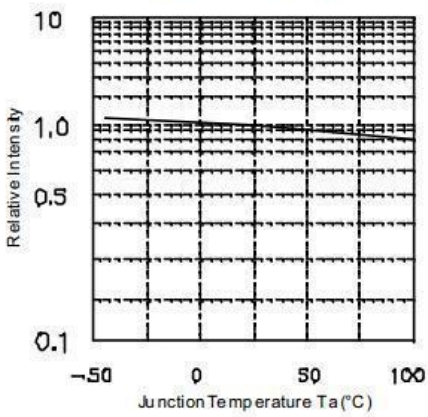
Double Light

(25°C Ambient Temperature Unless Otherwise Noted)

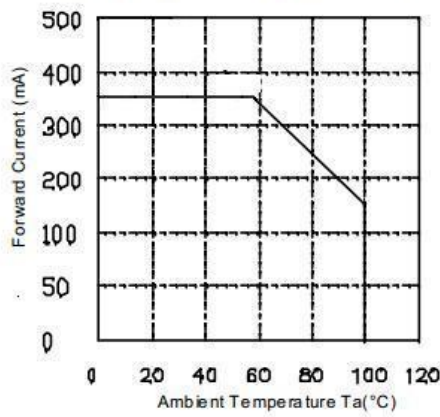


Derating

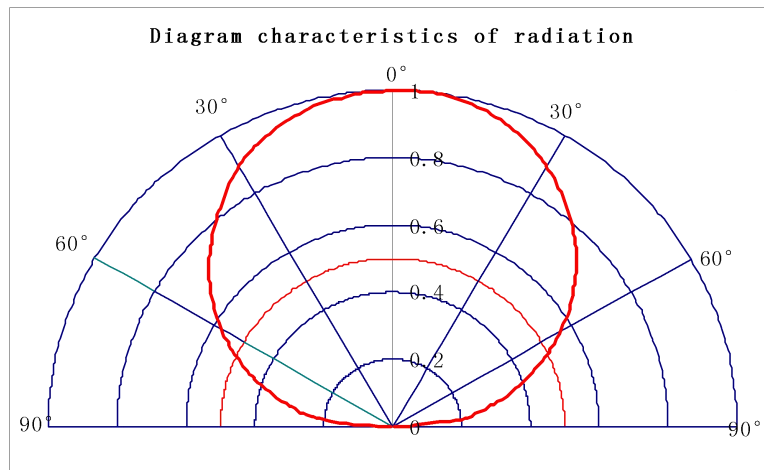
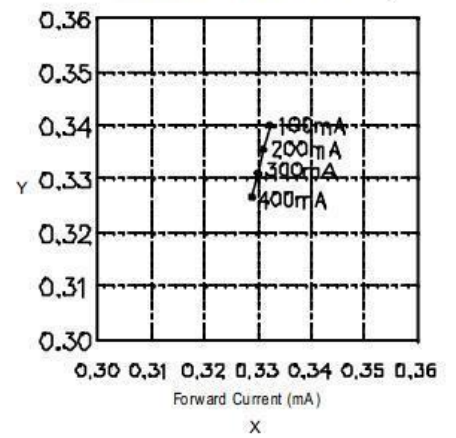
Relative Intensity vs. Ambient Temperature



Ambient Temperature vs. Maximum Forward Current



Forward Current vs. Chromaticity (Ta=25°C)



◆ Reliability Test Items And Conditions:

Double Light

The reliability of products shall be satisfied with items listed below:

Confidence level: 90%.

LTPD: 10%.

1) Test Items and Results:

No.	Test Item	Test Hours/Cycles	Test Conditions	Sample Size	Ac/Re
1	Resistance to Soldering Heat	6 Min	Tsld=260±5°C, Min. 5sec	25pcs	0/1
2	Thermal Shock	300 Cycles	H: +100°C 5min ∫ 10 sec L: -10°C 5min	25pcs	0/1
3	Temperature Cycle	300 Cycles	H: +100°C 15min ∫ 5min L: -40°C 15min	25pcs	0/1
4	High Temperature Storage	1000Hrs.	Temp: 100°C	25pcs	0/1
5	DC Operating Life	1000Hrs.	IF=150mA	25pcs	0/1
6	Low Temperature Storage	1000Hrs.	Temp: -40°C	25pcs	0/1
7	High Temperature/ High Humidity	1000Hrs.	85°C/85%RH	25pcs	0/1

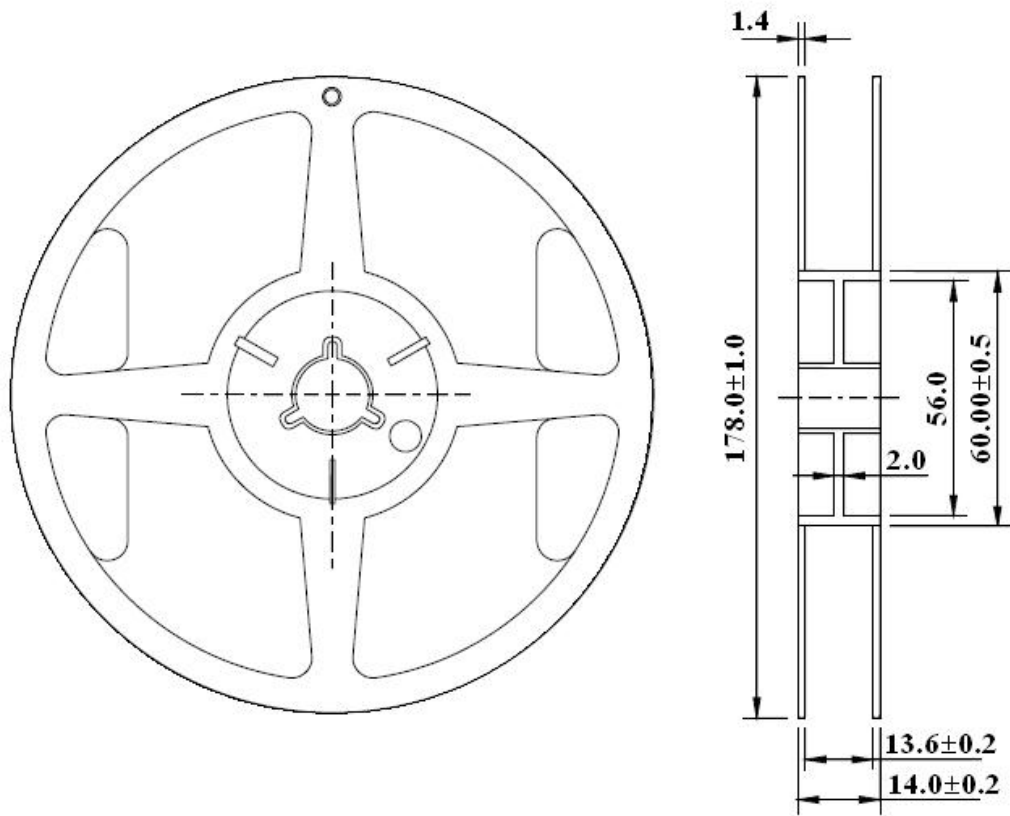
2) Criteria for Judging the Damage:

Item	Symbol	Test Conditions	Criteria for Judgment	
			Min	Max
Forward Voltage	VF	IF=150mA	---	F.V.*)×1.1
Reverse Current	IR	VR=5V	---	F.V.*)×2.0
Luminous Intensity	IV	IF=150mA	F.V.*)×0.7	---

*) F.V.: First Value.

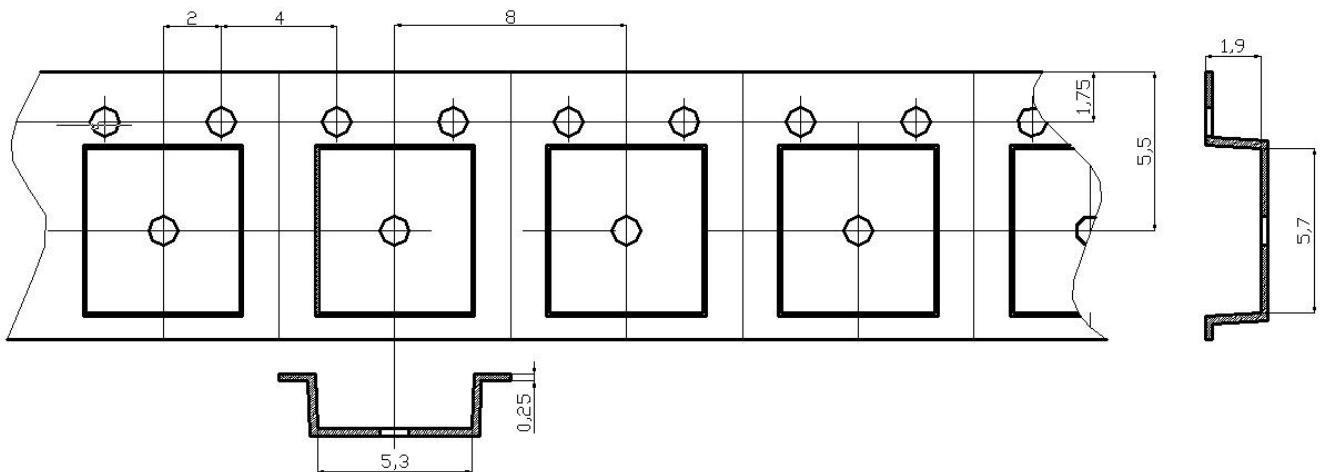
◆ Reel Dimensions:

Double Light



Carrier Tape Dimensions:

Loaded quantity 4000 PCS per reel.



◆ Please read the following notes before using the product:

Double Light

1. Over-current-proof

Customer must apply resistors for protection, otherwise slight voltage shift will cause big current change (Burn out will happen).

2. Storage

2.1 Do not open moisture proof bag before the products are ready to use.

2.2 Before opening the package, the LEDs should be kept at 30°C or less and 90%RH or less.

2.3 The LEDs should be used within a year.

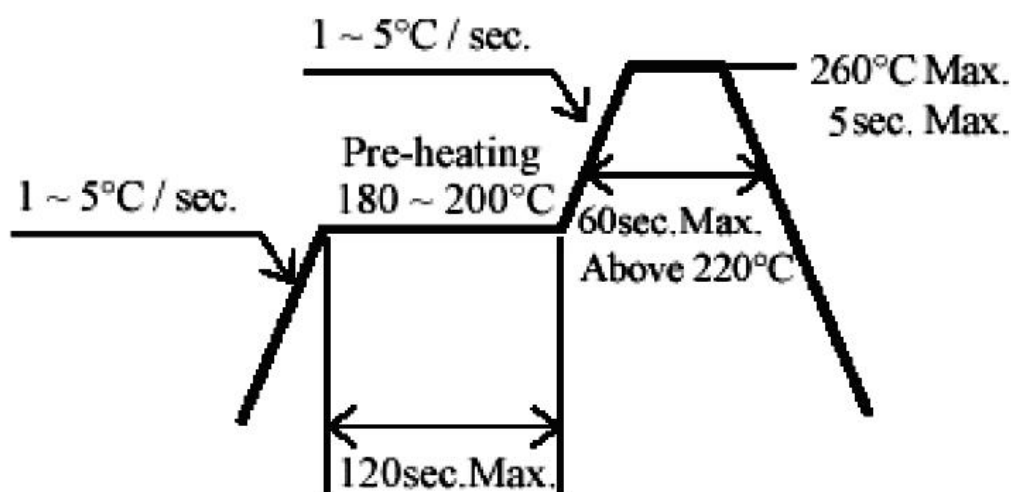
2.4 After opening the package, the LEDs should be kept at 30°C or less and 70%RH or less.

2.5 The LEDs should be used within 168 hours (7 days) after opening the package.

2.6 If the moisture adsorbent material (silica gel) has fabled away or the LEDs have exceeded the storage time, baking treatment should be performed using the following conditions. Baking treatment: 60±5°C for 24 hours.

3. Soldering Condition

3.1 Pb-free solder temperature profile.



3.2 Reflow soldering should not be done more than two times.

3.3 When soldering, do not put stress on the LEDs during heating.

3.4 After soldering, do not warp the circuit board.

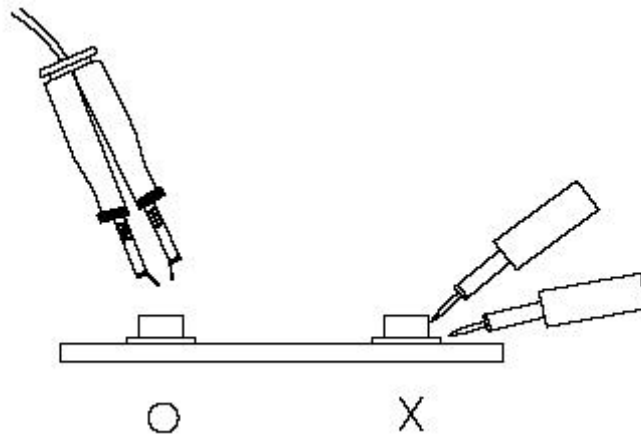
4. Soldering Iron

Each terminal is to go to the tip of soldering iron temperature less than 260°C for 5 seconds within once in less than the soldering iron capacity 25W. Leave two seconds and more intervals, and do soldering of each terminal. Be careful because the damage of the product is often started at the time of the hand solder.

5. Repairing

Repair should not be done after the LEDs have been soldered. When repairing is unavoidable, a double-head soldering iron should be used (as below figure). It should be confirmed beforehand whether the characteristics of the LEDs will or will not be damaged by repairing.

Double Light



6. Caution in ESD

Static Electricity and surge damages the LED. It is recommended to use a wrist band or anti-electrostatic glove when handling the LED. All devices, equipment and machinery must be properly grounded.